

DATA SHEET MULTIPLAY SURA 4B

Text for invitation to tender | Item No: 51 7531 601



MATERIALS | SCOPE OF SUPPLY

Multiplay, final installation on location

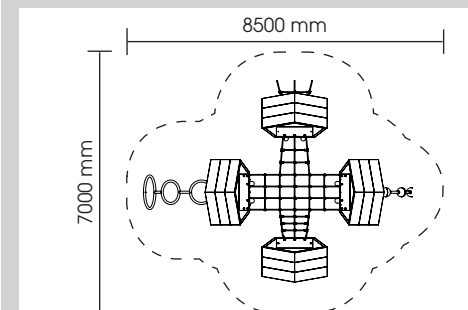
Posts:	stainless steel, V2A, 4 pieces
Wendy house:	robinia, 4 pieces
Climbing balls:	stainless steel, V2A, with 4 balls made of EPDM granules, 1 piece
Climbing eye:	stainless steel, V2A, 1 piece
Climbing net:	Herkules rope / plastic, 3 pieces
Foundation plates:	steel, coated

TECHNICAL INFORMATION

Dimensions:

Main dimension:	4000 x 5450 mm
Height:	2665 mm
Weight:	1100kg
Capacity:	acc. to normative requirements
Dimension largest piece:	800 x 800 x 1900 mm
Heaviest piece:	145 kg

Max. fall height:	1500 mm
Impact area:	40,53 m ²
Required safety slabs:	min. 47,25 m ² (□ 59,50 m ²)
Required lawn grating:	min. 53,00 m ² (□ 63,00 m ²)
Recommended surface material:	sand, wood chip, gravel, synth. impact protection



INSTALLATION

Foundations: 7
Modified installation depth possible
(special edition)

Installation according to our detailed mounting
instructions, see www.stilum.com

Please note the material information in the mounting- and maintenance instruction.

